

## All-Plastic Yard Signs

# T-cade & Realicade

- Strong, durable and light-weight.
- Made of high-grade engineered polyethylene.
- Easy to install using foot-push mounts or hammer knobs (for hard soil).
- No: fading, rust, splinters or painting.
- Realicade available in black or white.



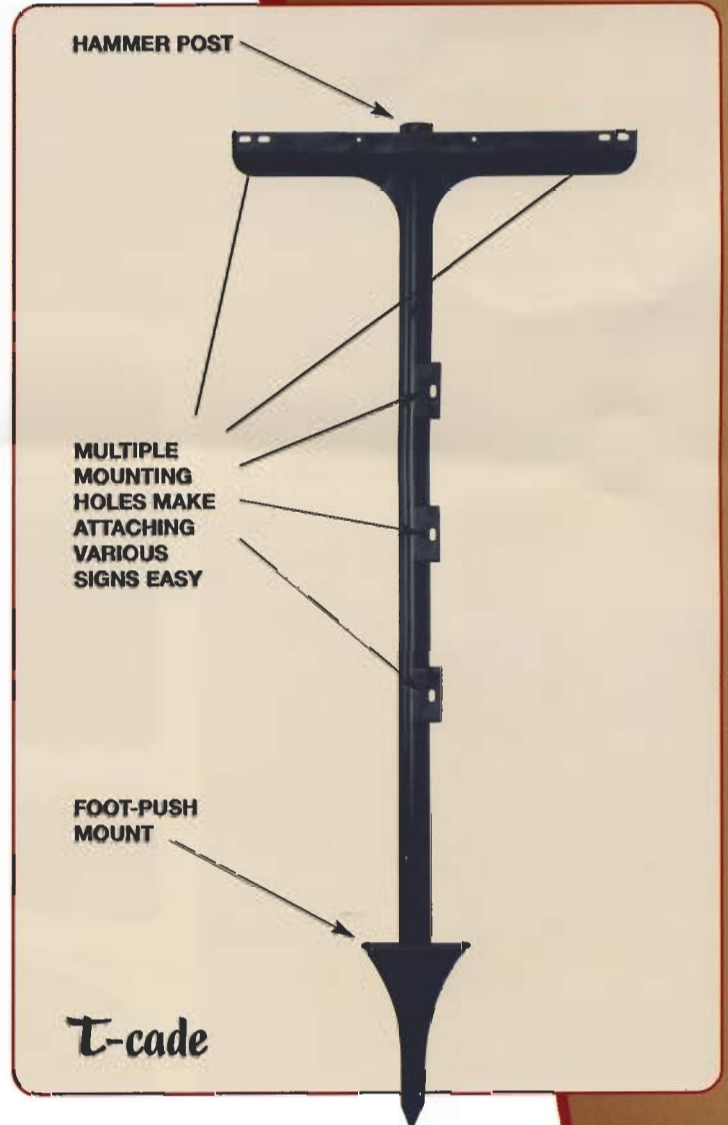
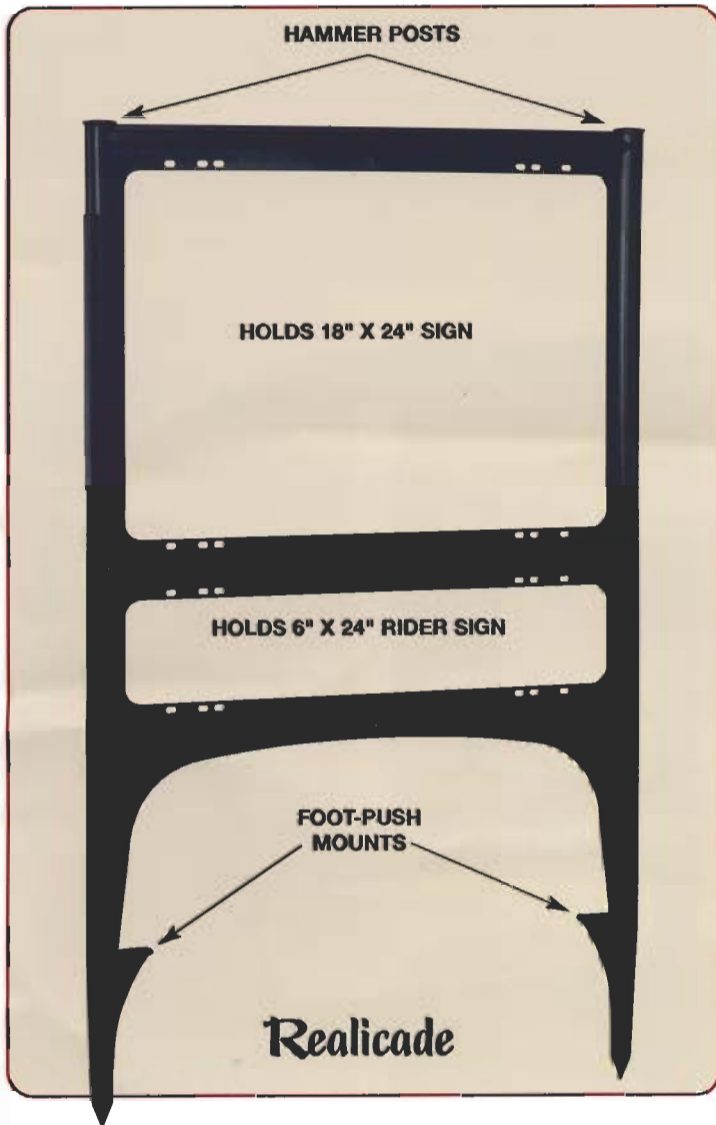
T-cade



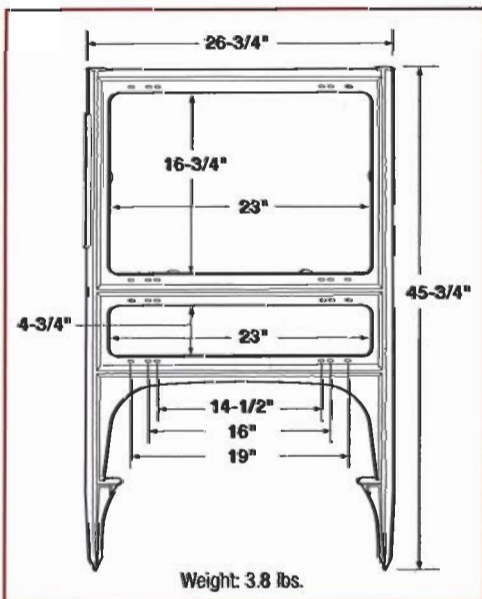
Realicade



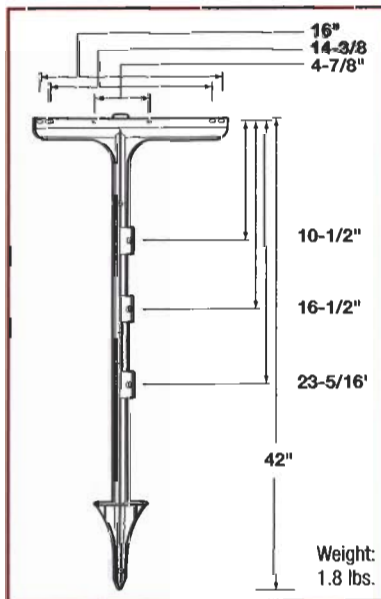
# Realicade & T-cade



REALICADE DIMENSIONS



T-CADE DIMENSIONS



MADE IN THE USA

**PLASTICADE PRODUCTS**

7700 Austin Avenue  
 Skokie, IL 60077  
 phone (800) 772-0355  
 fax (847) 966-8074  
 www.plasticade.com